



## SCA 450-500- 550

Single head cutting-off  
machines

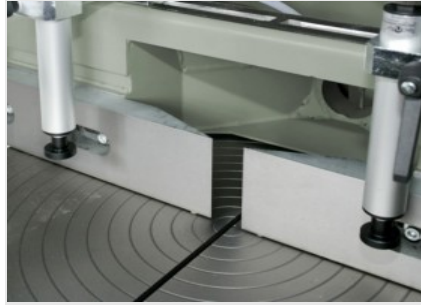


Single-head, rising blade cutting-off machine, with left loading side, able to perform cuts from 20° left to 20° right and intermediate angles.



### Blade and roller conveyor

The cutting-off machine can be equipped with 450, 500 or 550 mm cemented carbide blades, which, mounted on a pneumatic feed system, make it ideal for cutting profiles with multiple sections.



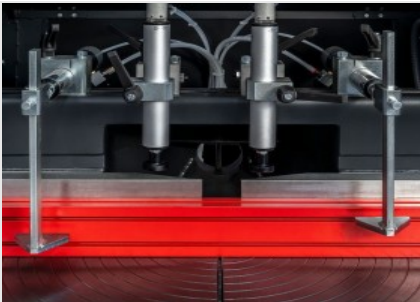
### Cutting zone

To enable maximum utilization of the cutting capacity, the cutting zone features a strong structure designed to ensure maximum rigidity. This is with regard to both the horizontal plane and the vertical square.



### Control

The control console allows user-friendly and intuitive machine operation. Machine management control is complemented by the vice pressure adjustment system (optional) and the ability to adjust the blade output speed.



### Vices

Thanks to the technical solutions adopted, the horizontal and vertical vices ensure the utmost rigidity in workpiece clamping as well as rapid repositioning of the vices. Such characteristic allows the use of this machine in window/door manufacture and for cutting industrial profiles.





SCA 450-500-550 / SINGLE HEAD CUTTING-OFF MACHINES

BLADE

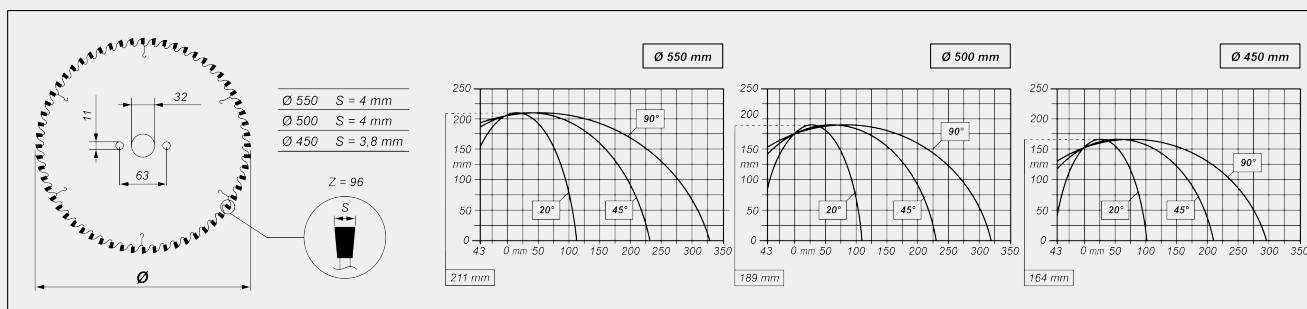
Made of Widia (based on model) (mm)

Ø = 450; Ø = 500; Ø = 550

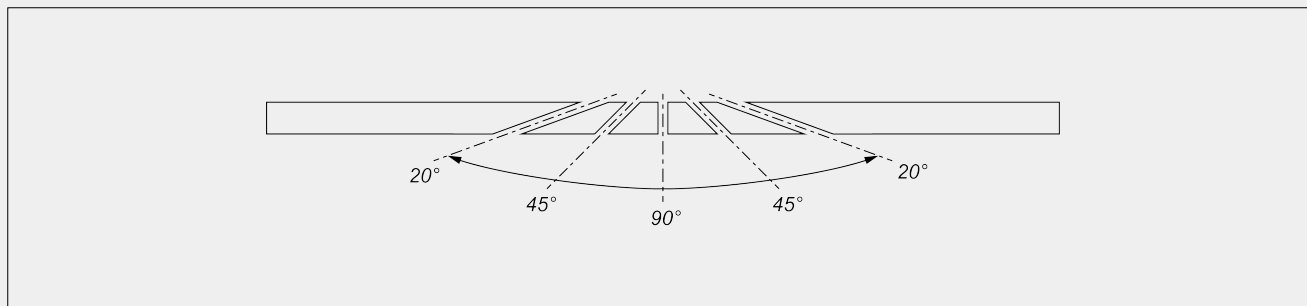
BLADE FEED

Hydro-pneumatic

CUTTING DIAGRAM



CUTTING UNIT TILTING



Mechanical adjustment of intermediate angles

CUTTING AREA PROTECTION

Full guard manually operated

Automatic opening of the blade protection

Emmegi S.p.A.  
 Via Archimede, 10  
 41019 - Limidi di Soliera (MO)  
 ITALY

Tel +39 059 895411  
 Fax +39 059 566286  
 P.Iva/C.Fisc 01978870366  
 info@emmegi.com  
 www.emmegi.com

The right to make technical alterations is reserved.

**LUBRICATION SYSTEM**

Water spray-mist with oil emulsion or minimal diffusion oil spray-mist (depending on version) ●

**WORKPIECE LOCKING**

Pair of pneumatic vertical and horizontal vices ●

**MOTOR**

Three-phase brake motor ●

Brake intervention time (s) 10

Power (kW) 4

Included ● Available ○