

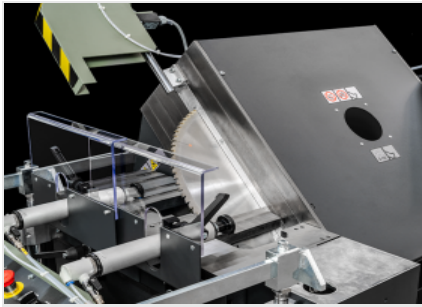


Vega 550-450

Single head cutting-off machines



Single-head cutting-off machine with horizontal blade feed and left loading side, pneumatic double side tilting of the cutting head in fixed positions: 45° to the left, 90°, 45° and 22°30' to the right. A special positive stop also allows cutting at intermediate angles.



Head 45° / 22°30'

Applied technical solutions ensure fast and precise angular positioning of the head, which can be equipped with 450- and 550-diameter cemented carbide blades. Thus the distinct vocation of this machine for the production of windows and doors is outlined, ensuring reliability and precision over time.



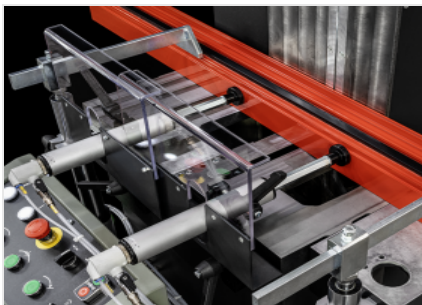
Safety systems

The machine is equipped with a localised blade protection system, which does not interfere with the positioning of the workpiece but, at the same time, ensures the safety of the operator.



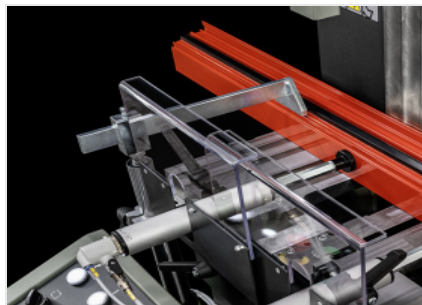
Control

Control console that allows the implementation of left and right head tilt through the use of quick and intuitive controls. With the unloading/measuring roller conveyor stand on the right side, the length of the workpiece to be cut is determined, referenced to the centre of the blade.



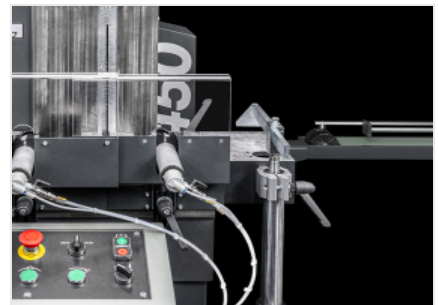
Vices

The cutting-off machine is equipped with a horizontal and vertical vice assembly (optional), which is characterised by extremely fast positioning and effective clamping.



Vertical pneumatic vice (Optional)

If necessary, you can install a left vertical vice or a pair of vertical vices (both left and right) to perfectly clamp profiles of even more complex shapes.



Provision for loading the profile from the right (Optional)

The machine is designed to accommodate a special roller conveyor positioned on the right side. Their function is to support profiles of considerable length and to ensure correct positioning of the workpiece in the machine.





VEGA 550-450 / SINGLE HEAD CUTTING-OFF MACHINES

BLADE

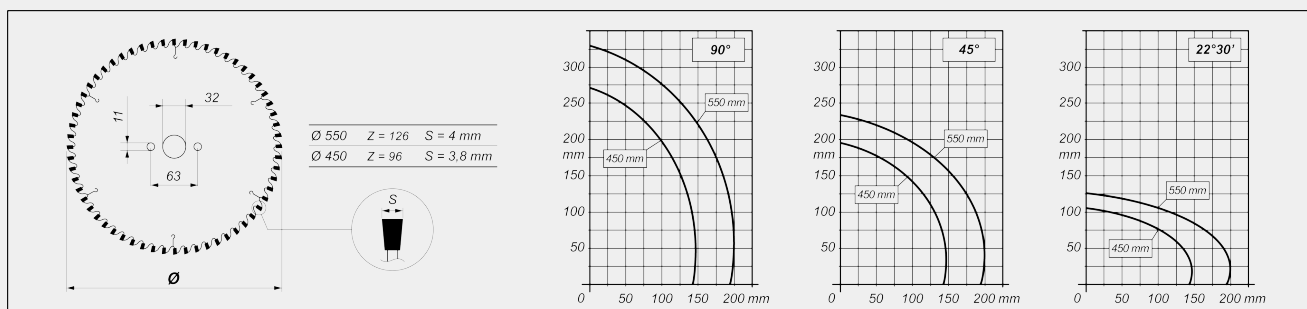
Made of Widia (based on model) (mm)

Ø = 450; Ø = 550

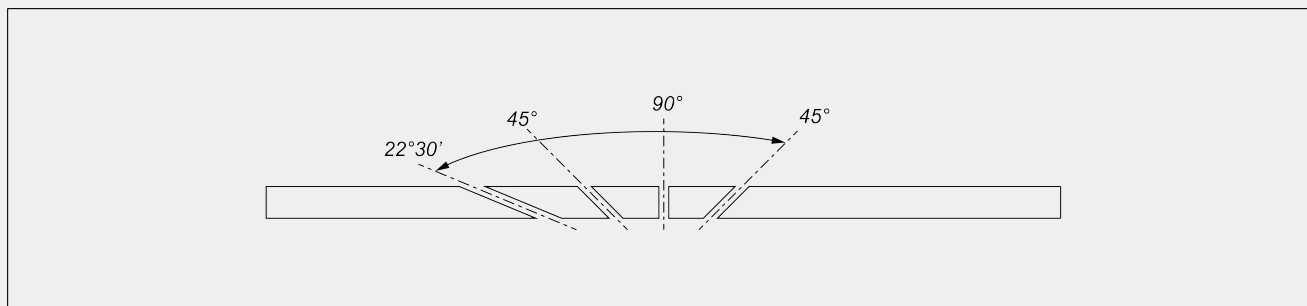
BLADE FEED

Hydro-pneumatic

CUTTING DIAGRAM



CUTTING UNIT TILTING



Mechanical adjustment of intermediate angles

CUTTING AREA PROTECTION

Local, pneumatically control

LUBRICATION SYSTEM

Micro-mist lubrication system with water and oil emulsion

Emmegi S.p.A.
 Via Archimede, 10
 41019 - Limidi di Soliera (MO)
 ITALY

Tel +39 059 895411
 Fax +39 059 566286
 P.Iva/C.Fisc 01978870366
 info@emmegi.com
 www.emmegi.com

The right to make technical alterations is reserved.

**WORKPIECE LOCKING**

Pair of pneumatic horizontal vices	<input checked="" type="radio"/>
Pair of pneumatic vertical vices	<input type="radio"/>
Provision for profile loading from the right	<input type="radio"/>

MOTOR

Three-phase (kW)	2,2
------------------	-----

Included Available